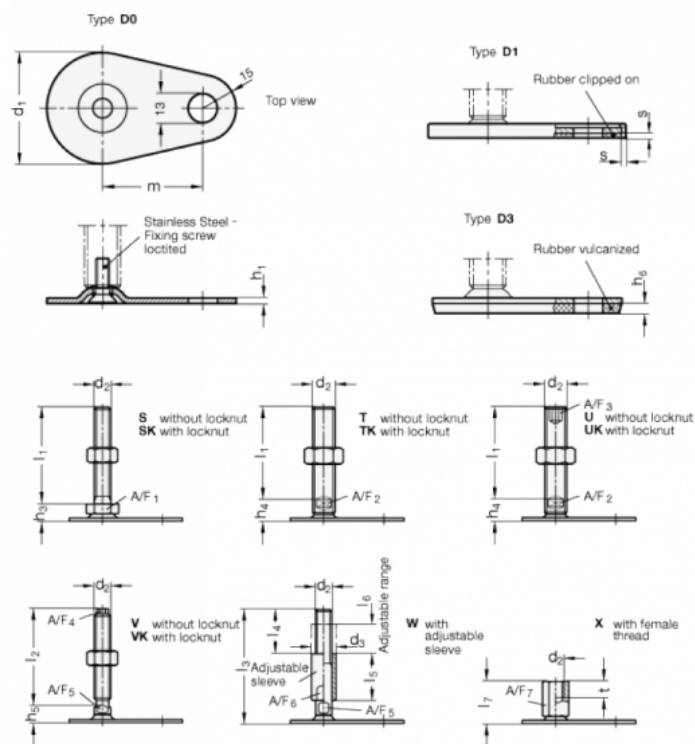


Article number: 204380M20200D1V

Description: E+G levelling foot
GN 43-80-M20-200-D1-V

Note: V Without nut, External hexagon at the top, Wrench flat at the bottom

Measures



A/F4 = 13	m = 70
A/F5 = 16	s = 2
d1 = 80	
d2 = M20	
h1 = 3	
h5 = 15	
h6 =	
l2 = 200	